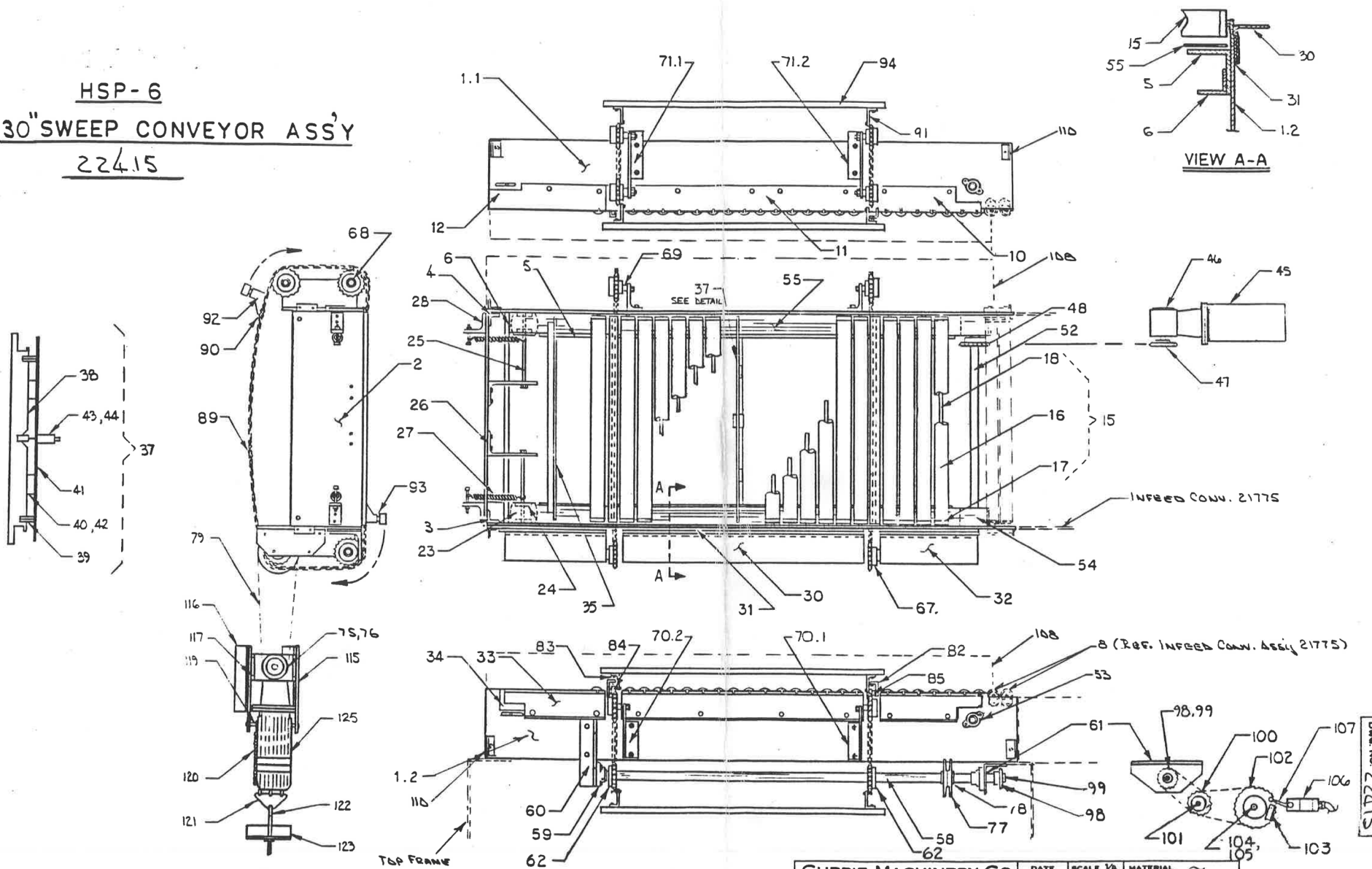


HSP-6
 30" SWEEP CONVEYOR ASS'Y
 22415



CURRIE MACHINERY CO
 SANTA CLARA, CALIFORNIA

DATE 9/1/88	SCALE 3/8	MATERIAL
DRAWN BY Tom T		TITLE SWEEP CONVEYOR ASSY

DWG. NO. 22415



Quote

Remit To:
Brenton, LLC
PO Box 73025
Cleveland, OH 44193

Estimate: ESP4101867
Customer Quote: HSP-6 30SweepAssy22415
QuoteDate: 2022-06-14
Expiration Date: 2022-07-13
Customer Currency: USD
Terms: NET 30 DAYS

Customer: C000448
Brenton, LLC
4750 County Road 13 NE
Alexandria MN 56308
UNITED STATES

Ship To: 0
Brenton, LLC
4750 County Road 13 NE
Alexandria MN 56308
UNITED STATES

Salesperson: Cindy Trousil
Email: cindy.trousil@promachbuilt.com
Phone: 320-852-8228

Customer Contact:
Email:
Phone: (320)852-7705

Line	Item	Quantity	UM	Unit Price	Total Amount
1	Item: 22383-1PT CI: SIDE FRAME PART NUMBER ON PRINT 1.1	Ordered: 1 On Hand: 0	EA	0.00 Lead Time: 38 Days	0.00
2	Item: 22383-2PT CI: SIDE FRAME PART NUMBER ON PRINT 1.2	Ordered: 1 On Hand: 0	EA	0.00 Lead Time: 38 Days	0.00
3	Item: MISC FAB PART CI: 22397 SIDE FRAM END PART NUMBER ON PRINT 2	Ordered: 1 On Hand: 0	EA	0.00 Lead Time: 38 Days	0.00
4	Item: MISC FAB PART CI: 21763-1 SIDE FRAME BRACKET PART NUMBER ON PRINT 3	Ordered: 1 On Hand: 0	EA	0.00 Lead Time: 38 Days	0.00
5	Item: MISC FAB PART CI: 31763-2 SIDE FRAME BRACKET PART NUMBER ON PRINT 4	Ordered: 1 On Hand: 0	EA	0.00 Lead Time: 38 Days	0.00
6	Item: 22385PT CI: ROLLER DRIVE BELT SLIDE ANGLE PART NUMBER ON PRINT 5	Ordered: 2 On Hand: 0	EA	0.00 Lead Time: 38 Days	0.00



Quote

Remit To:
Brenton, LLC
PO Box 73025
Cleveland, OH 44193

Estimate: ESP4101867
Customer Quote: HSP-6 30SweepAssy22415
QuoteDate: 2022-06-14
Expiration Date: 2022-07-13
Customer Currency: USD
Terms: NET 30 DAYS

Line	Item	Quantity	UM	Unit Price	Total Amount
7	Item: MISC FAB PART CI: 22386 CASE STOP MOUNT RAIL PART NUMBER ON PRNT 6	Ordered: 2 On Hand: 0 Est. Ship: 2022-07-22	EA Lead Time: 38 Days	0.00	0.00
8	Item: MISC FAB PART CI: ASSY INFEED ROLLER 22420	Ordered: 1 On Hand: 0 Est. Ship: 2022-07-22	EA Lead Time: 38 Days	0.00	0.00
9	Item: MISC FAB PART CI: ASSY INFEED ROLLER 22420	Ordered: 1 On Hand: 0 Est. Ship: 2022-07-22	EA Lead Time: 38 Days	0.00	0.00
10	Item: MISC FAB PART CI: ASSY INFEED ROLLER 22420	Ordered: 1 On Hand: 0 Est. Ship: 2022-07-22	EA Lead Time: 38 Days	0.00	0.00
11	Item: MISC FAB PART CI: ASSY INFEED ROLLER 22420	Ordered: 1 On Hand: 0 Est. Ship: 2022-07-22	EA Lead Time: 38 Days	0.00	0.00
12	Item: MISC FAB PART CI: ASSY INFEED ROLLER 22420	Ordered: 1 On Hand: 0 Est. Ship: 2022-07-22	EA Lead Time: 38 Days	0.00	0.00
13	Item: 22732PT CI: ROLLER AXLE PLATE A-1 PART NUMBER ON PRINT 11	Ordered: 2 On Hand: 0 Est. Ship: 2022-07-22	EA Lead Time: 38 Days	0.00	0.00
14	Item: 22733PT CI: ROLLER AXLE PLATE A-2 PART NUMBER ON PRINT 12	Ordered: 2 On Hand: 0 Est. Ship: 2022-07-22	EA Lead Time: 38 Days	0.00	0.00
15	Item: 22388PT CI: ROLLER AXLE PLATE B PART NUMBER ON PRINT 12	Ordered: 2 On Hand: 0 Est. Ship: 2022-07-22	EA Lead Time: 38 Days	0.00	0.00



Quote

Remit To:
Brenton, LLC
PO Box 73025
Cleveland, OH 44193

Estimate: ESP4101867
Customer Quote: HSP-6 30SweepAssy22415
QuoteDate: 2022-06-14
Expiration Date: 2022-07-13
Customer Currency: USD
Terms: NET 30 DAYS

Line	Item	Quantity	UM	Unit Price	Total Amount
16	Item: 20418NO CI: INFEED ROLLER AND BEARING PART NUMBER ON PRINT 15	Ordered: 1 On Hand: 8 Est. Ship: 2022-07-22	EA	0.00 Lead Time: 38 Days	0.00
17	Item: 19822NO CI: INFEED CONV ROLLER **QTY BRK 3** PART NUMBER ON PRINT 16	Ordered: 24 On Hand: 0 Est. Ship: 2022-07-22	EA	0.00 Lead Time: 38 Days	0.00
18	Item: 724950 CI: 1-3/4" WOOD BEARING PART NUMBER ON PRINT 17 OLD PART NUMBER IS 19826	Ordered: 48 On Hand: 109 Est. Ship: 2022-07-22	EA	0.00 Lead Time: 38 Days	0.00
19	Item: 14161NO CI: INFEED ROLLER AXLE PART NUMBER ON PRINT 18	Ordered: 24 On Hand: 133 Est. Ship: 2022-07-22	EA	0.00 Lead Time: 38 Days	0.00
20	Item: 22398NO CI: ROLLER AXLE (FIXED) PART NUMBER ON PRINT 19	Ordered: 1 On Hand: 0 Est. Ship: 2022-07-22	EA	0.00 Lead Time: 38 Days	0.00
21	Item: 22399NO CI: TURNER ROLLER (CHAIN DRIVE) PART NUMBER ON PRINT 20	Ordered: 3 On Hand: 0 Est. Ship: 2022-07-22	EA	0.00 Lead Time: 38 Days	0.00
22	Item: 7764NO CI: CONV MOTOR SPROCKET PART NUMBER ON PRINT 21	Ordered: 6 On Hand: 0 Est. Ship: 2022-07-22	EA	0.00 Lead Time: 38 Days	0.00
23	Item: 704515 CI: 0.75 3H FLANGE GOLD LINE (CMC 13747)	Ordered: 6 On Hand: 0 Est. Ship: 2022-07-22	EA	0.00 Lead Time: 38 Days	0.00



Quote

Remit To:
Brenton, LLC
PO Box 73025
Cleveland, OH 44193

Estimate: ESP4101867
Customer Quote: HSP-6 30SweepAssy22415
QuoteDate: 2022-06-14
Expiration Date: 2022-07-13
Customer Currency: USD
Terms: NET 30 DAYS

Line	Item	Quantity	UM	Unit Price	Total Amount
	PART NUMBER ON PRINT 22				
	OLD PART NUMBER 13747				
24	Item: 12576NO	Ordered: 2	EA	0.00	0.00
	CI:	On Hand: 0		Lead Time: 38 Days	
	BELT IDLER PULLEY	Est. Ship: 2022-07-22			
	PART NUMBER ON PRINT 23				
25	Item: 097211	Ordered: 4	EA	0.00	0.00
	CI:	On Hand: 0		Lead Time: 38 Days	
	BRG MBM ER-12	Est. Ship: 2022-07-22			
	PART NUMBER ON PRINT 24				
26	Item: 19115NO	Ordered: 2	EA	0.00	0.00
	CI:	On Hand: 0		Lead Time: 38 Days	
	IDLER PULLEY AXLE	Est. Ship: 2022-07-22			
	PART NUMBER ON PRINT 25				
27	Item: 14687NO	Ordered: 2	EA	0.00	0.00
	CI:	On Hand: 0		Lead Time: 38 Days	
	IDLER AXLE SUPPORT	Est. Ship: 2022-07-22			
	PART NUMBER ON PRINT 26				
28	Item: 3084NO	Ordered: 2	EA	0.00	0.00
	CI:	On Hand: 0		Lead Time: 38 Days	
	SPRING	Est. Ship: 2022-07-22			
	OLD PART NUMBER 27				
29	Item: 19784NO	Ordered: 2	EA	0.00	0.00
	CI:	On Hand: 0		Lead Time: 38 Days	
	SPRING RETAINING PIN **QTY BRK 3**	Est. Ship: 2022-07-22			
	PART NUMBER ON PRINT 28				
30	Item: 20107PT	Ordered: 1	EA	0.00	0.00
	CI:	On Hand: 0		Lead Time: 38 Days	
	SWEEP CONV, TRANSFER (CENTER)	Est. Ship: 2022-07-22			
	PART NUMBER ON PRINT 30				



Quote

Remit To:
Brenton, LLC
PO Box 73025
Cleveland, OH 44193

Estimate: ESP4101867
Customer Quote: HSP-6 30SweepAssy22415
QuoteDate: 2022-06-14
Expiration Date: 2022-07-13
Customer Currency: USD
Terms: NET 30 DAYS

Line	Item	Quantity	UM	Unit Price	Total Amount
31	Item: 20109PT CI: TRANSFER SPACER (CENTER) PART NUMBER ON PRINT 31	Ordered: 1 On Hand: 0 Est. Ship: 2022-07-22	EA Lead Time: 38 Days	0.00	0.00
32	Item: 22389-APT CI: SWEEP TRANSFER (BELT SIDE) PART ON PRINT 32	Ordered: 1 On Hand: 0 Est. Ship: 2022-07-22	EA Lead Time: 38 Days	0.00	0.00
33	Item: 22389-BPT CI: SWEEP TRANSFER (BELTSIDE) PART ON PRINT 32	Ordered: 1 On Hand: 0 Est. Ship: 2022-07-22	EA Lead Time: 38 Days	0.00	0.00
34	Item: 22390-APT CI: SWEEP TRANSFER PART ON PRINT 33	Ordered: 1 On Hand: 0 Est. Ship: 2022-07-22	EA Lead Time: 38 Days	0.00	0.00
35	Item: 22390-BPT CI: SWEEP TRANSFER (END) PART ON PRINT 33	Ordered: 1 On Hand: 0 Est. Ship: 2022-07-22	EA Lead Time: 38 Days	0.00	0.00
36	Item: 14137NO CI: SPACER PART ON PRINT 34	Ordered: 3 On Hand: 0 Est. Ship: 2022-07-22	EA Lead Time: 38 Days	0.00	0.00
37	Item: 14748NO CI: TRANSFER PLATE SPACER-TO -CONVEYOR PART NUMBER ON PRINT 35	Ordered: 1 On Hand: 0 Est. Ship: 2022-07-22	EA Lead Time: 38 Days	0.00	0.00
38	Item: 22396PT CI: ADJUSTABLE END STOP PART NUMBER ON PRINT 36	Ordered: 1 On Hand: 0 Est. Ship: 2022-07-22	EA Lead Time: 38 Days	0.00	0.00



Quote

Remit To:
Brenton, LLC
PO Box 73025
Cleveland, OH 44193

Estimate: ESP4101867
Customer Quote: HSP-6 30SweepAssy22415
Quote Date: 2022-06-14
Expiration Date: 2022-07-13
Customer Currency: USD
Terms: NET 30 DAYS

Line	Item	Quantity	UM	Unit Price	Total Amount
39	Item: 20348NO CI: CASE STOP ASSEMBLY PART NUMBER ON PRINT 37	Ordered: 1 On Hand: 0 Est. Ship: 2022-07-22	EA	0.00 Lead Time: 38 Days	0.00
40	Item: 20268PT CI: CASE STOP BLADE PART NUMBER ON PRINT 39	Ordered: 1 On Hand: 0 Est. Ship: 2022-07-22	EA	0.00 Lead Time: 38 Days	0.00
41	Item: 5703PT CI: CASE STOP GUIDE PIN(SHORT) PART NUMBER ON 41	Ordered: 2 On Hand: 0 Est. Ship: 2022-07-22	EA	0.00 Lead Time: 38 Days	0.00
42	Item: MISC FAB PART CI: 7277 CASE STOP BLADE BRACE PART NUMBER ON PRINT 40	Ordered: 2 On Hand: 0 Est. Ship: 2022-07-22	EA	0.00 Lead Time: 38 Days	0.00
43	Item: 5705PT CI: CASE STOP MOUNTING BAR PART NUMBER ON PRINT 41	Ordered: 1 On Hand: 4 Est. Ship: 2022-07-22	EA	0.00 Lead Time: 38 Days	0.00
44	Item: 5706EN CI: CASE STOP CLAMP PART NUMBER ON PRINT 42	Ordered: 2 On Hand: 7 Est. Ship: 2022-07-22	EA	0.00 Lead Time: 38 Days	0.00
45	Item: 725050 CI: AIR CYLINDER (CMC5704) PART NUMBER ON PRINT 43 OLD PART NUMBER IS 5704	Ordered: 1 On Hand: 0 Est. Ship: 2022-07-22	EA	0.00 Lead Time: 38 Days	0.00
46	Item: 097172 CI: CYL FLOW CONTROL VALVE 1/8	Ordered: 2 On Hand: 0 Est. Ship: 2022-07-22	EA	0.00 Lead Time: 38 Days	0.00



Quote

Remit To:
Brenton, LLC
PO Box 73025
Cleveland, OH 44193

Estimate: ESP4101867
Customer Quote: HSP-6 30SweepAssy22415
Quote Date: 2022-06-14
Expiration Date: 2022-07-13
Customer Currency: USD
Terms: NET 30 DAYS

Line	Item	Quantity	UM	Unit Price	Total Amount
	PART NUMBER ON PRINT 44				
	OLD PART NUMBER 22942				
47	Item: 725701	Ordered: 1	EA	0.00	0.00
	CI:	On Hand: 0	Lead Time: 38 Days		
	MOTOR 1.00 HP 56C 7/8" OUTPUT SHAFT	Est. Ship: 2022-07-22			
	PART NUMBER ON PRINT 45				
	OLD PART NUMBER 11807				
48	Item: 725141	Ordered: 1	EA	0.00	0.00
	CI:	On Hand: 0	Lead Time: 38 Days		
	REDUCER	Est. Ship: 2022-07-22			
	PART NUMBER ON PRINT 46				
	OLD PART NUMBER IS 14125				
49	Item: 727690	Ordered: 1	EA	0.00	0.00
	CI:	On Hand: 0	Lead Time: 38 Days		
	SPRK .88 BORE K/S (CMC 22707)	Est. Ship: 2022-07-22			
	PART NUMBER ON PRINT 47				
	OLD PART NUMBER IS 22707				
50	Item: 725229	Ordered: 1	EA	0.00	0.00
	CI:	On Hand: 0	Lead Time: 38 Days		
	SPRK 50B18F 1.00B	Est. Ship: 2022-07-22			
	PART NUMBER ON PRINT 48				
	OLD PART NUMBER 20265				
51	Item: 19827NO	Ordered: 1	EA	0.00	0.00
	CI:	On Hand: 0	Lead Time: 38 Days		
	INFEEED CONV DRIVE SHAFT	Est. Ship: 2022-07-22			
	PART NUMBER ON PRINT 52				
52	Item: 704325	Ordered: 2	EA	0.00	0.00
	CI:	On Hand: 0	Lead Time: 38 Days		
	0.75 FLANGE SET LOCK GOLDLINE	Est. Ship: 2022-07-22			
	PART NUMBER ON PRINT 53				
	OLD PART NUMBER IS 8296				



Quote

Remit To:
Brenton, LLC
PO Box 73025
Cleveland, OH 44193

Estimate: ESP4101867
Customer Quote: HSP-6 30SweepAssy22415
QuoteDate: 2022-06-14
Expiration Date: 2022-07-13
Customer Currency: USD
Terms: NET 30 DAYS

Line	Item	Quantity	UM	Unit Price	Total Amount
53	Item: 725587 CI: TAPER LOCK DYNA SYNC TIMING PULLEY PART NUMBER ON PRINT 54 OLD PART NUMBER IS 12422	Ordered: 2 On Hand: 0 Est. Ship: 2022-07-22	EA Lead Time: 38 Days	0.00	0.00
54	Item: 725114 CI: DRIVE BELT (CMC 22392) PART NUMBER ON PRINT 55 OLD PART NUMBER 22392	Ordered: 1 On Hand: 0 Est. Ship: 2022-07-22	EA Lead Time: 38 Days	0.00	0.00
55	Item: 725114 CI: DRIVE BELT (CMC 22392) PART NUMBER ON PRINT 62 OLD PART NUMBER 19816	Ordered: 1 On Hand: 0 Est. Ship: 2022-07-22	EA Lead Time: 38 Days	0.00	0.00
56	Item: 19815NO CI: SWEEP IDLER SPROCKET PART NUMBER ON PRINT 67	Ordered: 6 On Hand: 0 Est. Ship: 2022-07-22	EA Lead Time: 38 Days	0.00	0.00
57	Item: 795614 CI: 1.50 CAM FOLLOWER PART NUMBER ON PRINT 68 OLD PART NUMBER 19839	Ordered: 6 On Hand: 0 Est. Ship: 2022-07-22	EA Lead Time: 38 Days	0.00	0.00
58	Item: 19290NO CI: GUIDE ROLLER "B" SPACER PART NUMBER ON PRINT 69	Ordered: 6 On Hand: 0 Est. Ship: 2022-07-22	EA Lead Time: 38 Days	0.00	0.00
59	Item: 19841-1PT CI: SWEEP IDLER BRACKET "A" PART NUMBER ON PRINT 70.1	Ordered: 1 On Hand: 0 Est. Ship: 2022-07-22	EA Lead Time: 38 Days	0.00	0.00



Quote

Remit To:
Brenton, LLC
PO Box 73025
Cleveland, OH 44193

Estimate: ESP4101867
Customer Quote: HSP-6 30SweepAssy22415
Quote Date: 2022-06-14
Expiration Date: 2022-07-13
Customer Currency: USD
Terms: NET 30 DAYS

Line	Item	Quantity	UM	Unit Price	Total Amount
60	Item: 19841-2PT CI: SWEEP IDLER BRACKET "A" PART NUMBER ON PRINT 70.2	Ordered: 1 On Hand: 0 Est. Ship: 2022-07-22	EA	0.00 Lead Time: 38 Days	0.00
61	Item: 19825-1PT CI: HSP-6 SWEEP IDLER BRACKET PART NUMBER ON PRINT 71.1	Ordered: 1 On Hand: 0 Est. Ship: 2022-07-22	EA	0.00 Lead Time: 38 Days	0.00
62	Item: 19825-2PT CI: HSP-6 SWEEP IDLER BRACKER PART NUMBER ON PRINT 71.2	Ordered: 1 On Hand: 0 Est. Ship: 2022-07-22	EA	0.00 Lead Time: 38 Days	0.00
63	Item: 725698 CI: .88 TAPER BUSHING (CMC 19072) (CMC 15566) PART NUMBER ON PRINT 76	Ordered: 1 On Hand: 0 Est. Ship: 2022-07-22	EA	0.00 Lead Time: 38 Days	0.00
64	Item: 19845PT CI: SWEEP TRACK TOP ANGLE PART NUMBER ON PRINT 82	Ordered: 2 On Hand: 0 Est. Ship: 2022-07-22	EA	0.00 Lead Time: 38 Days	0.00
65	Item: 19843NO CI: SWEEP TRACK TOP PART NUMBER ON PRINT 85	Ordered: 2 On Hand: 0 Est. Ship: 2022-07-22	EA	0.00 Lead Time: 38 Days	0.00
66	Item: 19844NO CI: SWEEP TRACK (LOWER) PART NUMBER ON PRINT 84	Ordered: 2 On Hand: 0 Est. Ship: 2022-07-22	EA	0.00 Lead Time: 38 Days	0.00
67	Item: 19840NO CI: SWEEP TRACK SPACER PART NUMBER ON PRINT 85	Ordered: 10 On Hand: 6 Est. Ship: 2022-07-22	EA	0.00 Lead Time: 38 Days	0.00



Quote

Remit To:
Brenton, LLC
PO Box 73025
Cleveland, OH 44193

Estimate: ESP4101867
Customer Quote: HSP-6 30SweepAssy22415
Quote Date: 2022-06-14
Expiration Date: 2022-07-13
Customer Currency: USD
Terms: NET 30 DAYS

Line	Item	Quantity	UM	Unit Price	Total Amount
68	Item: 19846NO CI: SWEEP CHAIN ASSY PART NUMBER ON PRINT 89	Ordered: 2 On Hand: 0 Est. Ship: 2022-07-22	EA	0.00 Lead Time: 38 Days	0.00
69	Item: 725197 CI: 1-1/4" LG CONNECTOR LINK W/COTTER PART NUMBER ON PRINT 90 OLD PART NUMBER 11859	Ordered: 8 On Hand: 10 Est. Ship: 2022-07-22	EA	0.00 Lead Time: 38 Days	0.00
70	Item: 29608-1NO CI: SWEEP BAR CLEAT PART NUMBER ON PRINT 91 OLD PART NUMBER 19817.1	Ordered: 2 On Hand: 26 Est. Ship: 2022-07-22	EA	0.00 Lead Time: 38 Days	0.00
71	Item: 29608-2NO CI: SWEEP BAR CLEAT PART NUMBER ON PRINT 92 OLD PART NUMBER 19817.2	Ordered: 2 On Hand: 7 Est. Ship: 2022-07-22	EA	0.00 Lead Time: 38 Days	0.00
72	Item: 751305 CI: STAINLESS FASTENER PART NUMBER ON PRINT 93	Ordered: 8 On Hand: 0 Est. Ship: 2022-07-22	EA	0.00 Lead Time: 38 Days	0.00
73	Item: 19813PT CI: SWEEP BAR PART NUMBER ON PRINT 94	Ordered: 2 On Hand: 0 Est. Ship: 2022-07-22	EA	0.00 Lead Time: 38 Days	0.00
74	Item: 25927NO CI: CHAIN SPACER PART NUMBER ON PRINT 95	Ordered: 4 On Hand: 88 Est. Ship: 2022-07-22	EA	0.00 Lead Time: 38 Days	0.00



Quote

Remit To:
Brenton, LLC
PO Box 73025
Cleveland, OH 44193

Estimate: ESP4101867
Customer Quote: HSP-6 30SweepAssy22415
Quote Date: 2022-06-14
Expiration Date: 2022-07-13
Customer Currency: USD
Terms: NET 30 DAYS

Line	Item	Quantity	UM	Unit Price	Total Amount
75	Item: 25928NO CI: BAR SPACER PART NUMBER ON PRINT 96	Ordered: 4 On Hand: 72	EA	0.00	0.00
		Lead Time: 38 Days Est. Ship: 2022-07-22			
76	Item: 19831NO CI: SWP SFT TMG SPRK SPACER PART NUMBER ON PRINT 99	Ordered: 1 On Hand: 0	EA	0.00	0.00
		Lead Time: 38 Days Est. Ship: 2022-07-22			
77	Item: 19834NO CI: SWEEP TIMING IDLER SPROCKET PART NUMBER ON PRINT 100	Ordered: 1 On Hand: 0	EA	0.00	0.00
		Lead Time: 38 Days Est. Ship: 2022-07-22			
78	Item: 19832NO CI: DRIVE IDLER SPROCKET PART NUMBER ON PRINT 101	Ordered: 1 On Hand: 0	EA	0.00	0.00
		Lead Time: 38 Days Est. Ship: 2022-07-22			
79	Item: 19814NO CI: TIMING CAM SPROCKET PART NUMBER ON PRINT 102	Ordered: 1 On Hand: 0	EA	0.00	0.00
		Lead Time: 38 Days Est. Ship: 2022-07-22			
80	Item: 20699NO CI: CAM LOBE PART NUMBER ON PRINT 103	Ordered: 1 On Hand: 0	EA	0.00	0.00
		Lead Time: 38 Days Est. Ship: 2022-07-22			
81	Item: 19836NO CI: DRIVE IDLER SPINDLE PART NUMBER ON PRINT 104	Ordered: 1 On Hand: 0	EA	0.00	0.00
		Lead Time: 38 Days Est. Ship: 2022-07-22			
82	Item: 19833NO CI: SWEEP TIMING SPINDLE CAPS PART NUMBER ON PRINT 105	Ordered: 2 On Hand: 0	EA	0.00	0.00
		Lead Time: 38 Days Est. Ship: 2022-07-22			

